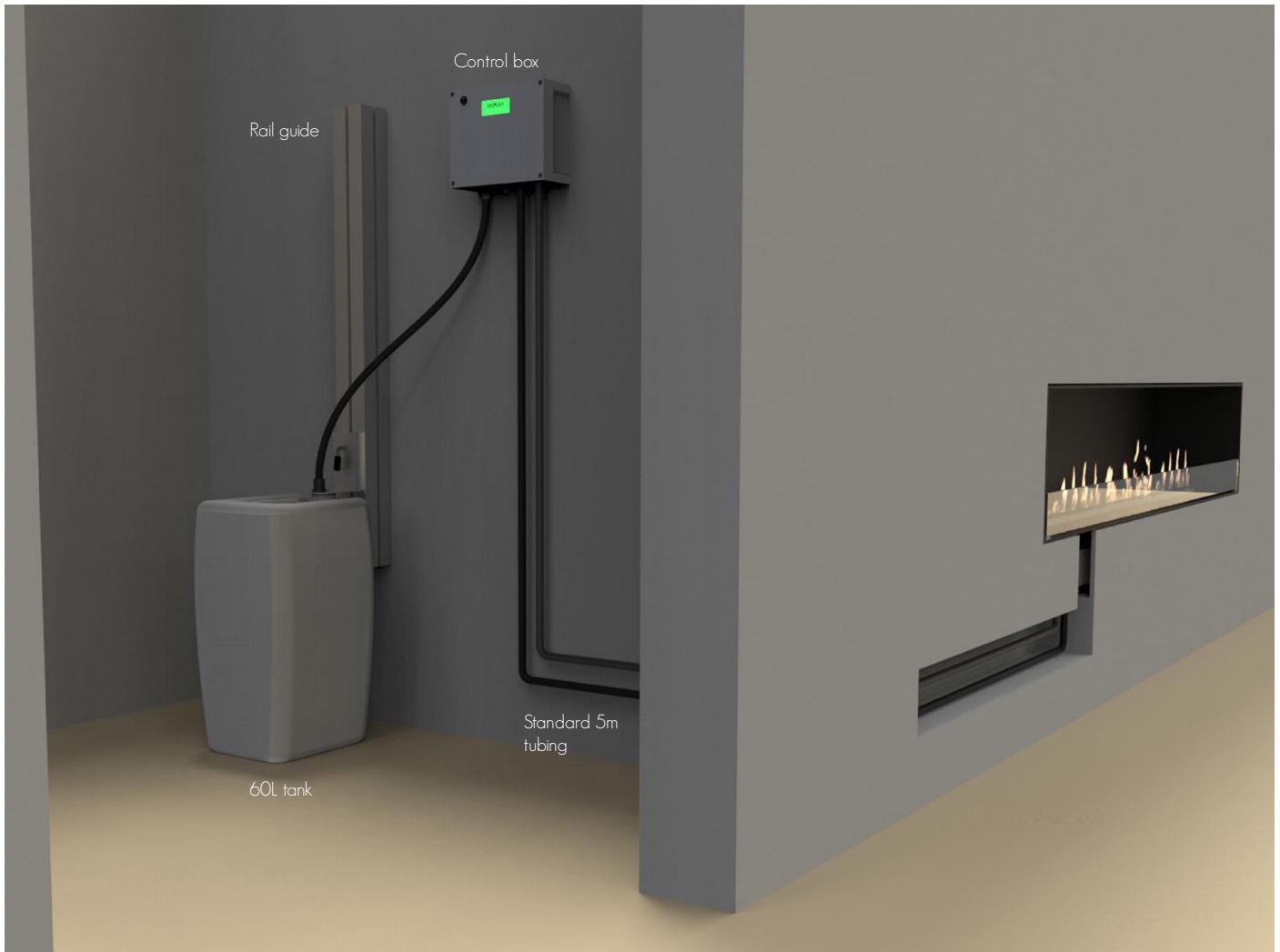


EXTERNAL FUEL TANK SYSTEM™

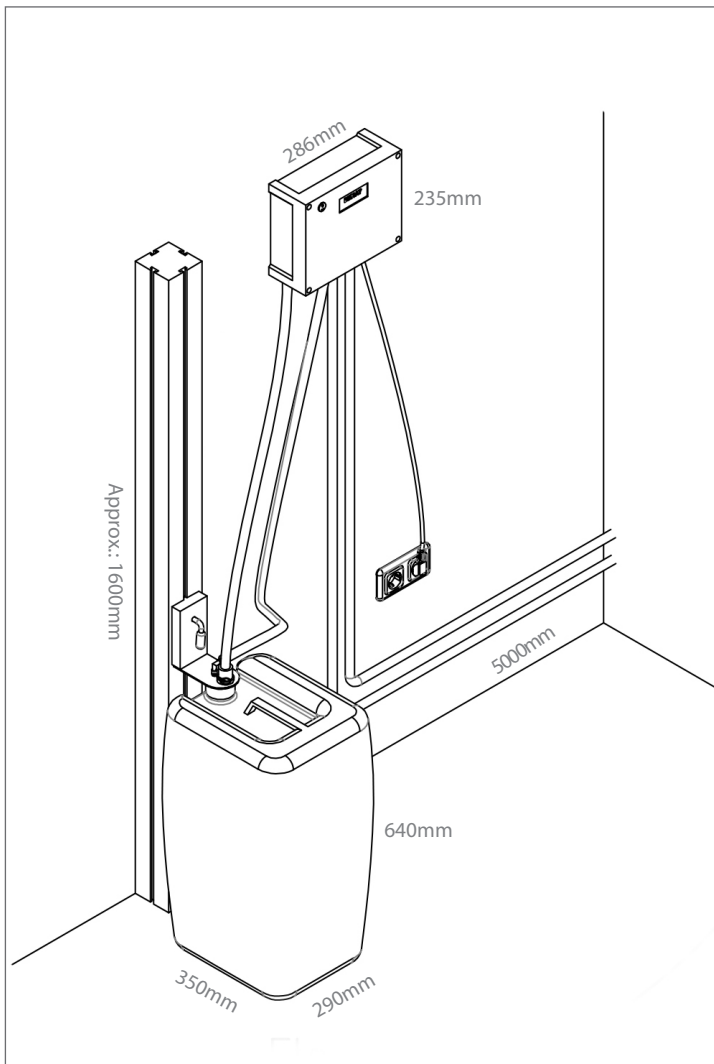


The external fuel tank is an automatic refilling system that can be connected to Denver e-Ribbon Fire.

Developed specifically for the hospitality sector, where the fireplaces need to operate long hours, the external fuel tank, can be as well installed in private homes.

The fireplace does not need to be shut down during the refilling process, resulting to possible endless burning time.

Customized Denver e-ribbon integrated in a bar-wall in Decoflames showroom. The bio-burner is connected to an external fuel tank system, located in a room next to the bar-wall.



ADVANTAGE:

- The external filling system can be placed in a storage room
- 60L tank - standard size
- Safe filling (no spill)
- Extended burning time

COMPONENTS INCLUDED:

- Control box (286x235mm)
- Rail guide (Approximately 1600mm)
- 5m tubing (standard)
- 60L plastic tank (350 x 290 x 640mm)

OPTIONAL:

- Up to 25m long tubing on request.
If a longer tubing is required please contact us
- Custom-made stainless steel bioethanol fuel tank in all sizes on request

If you have any questions to the above, please contact us:

Decoflame ApS
Vang Mark 2
9380 Vestbjerg, DK
Tlf.: +45 9630 4800
info@decoflame.dk