
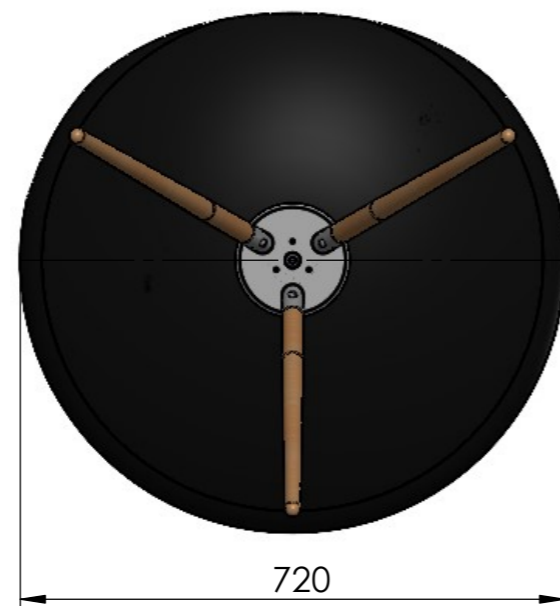
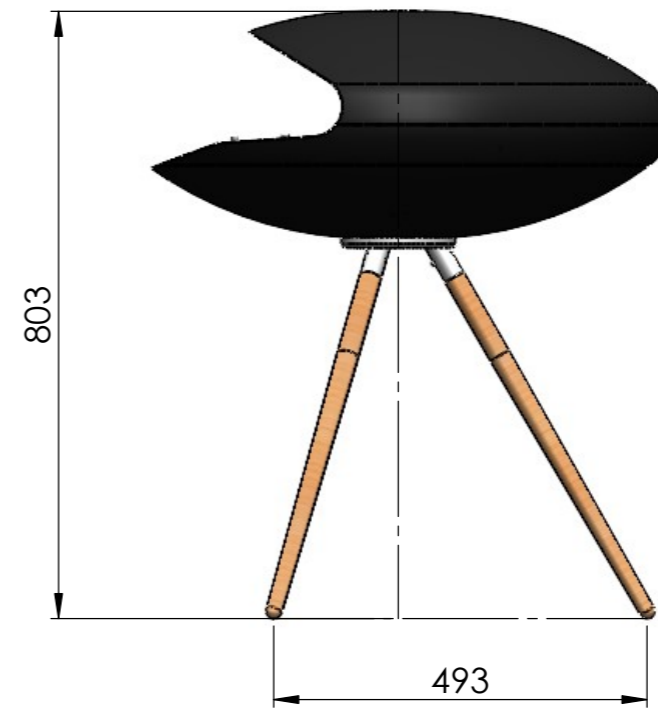
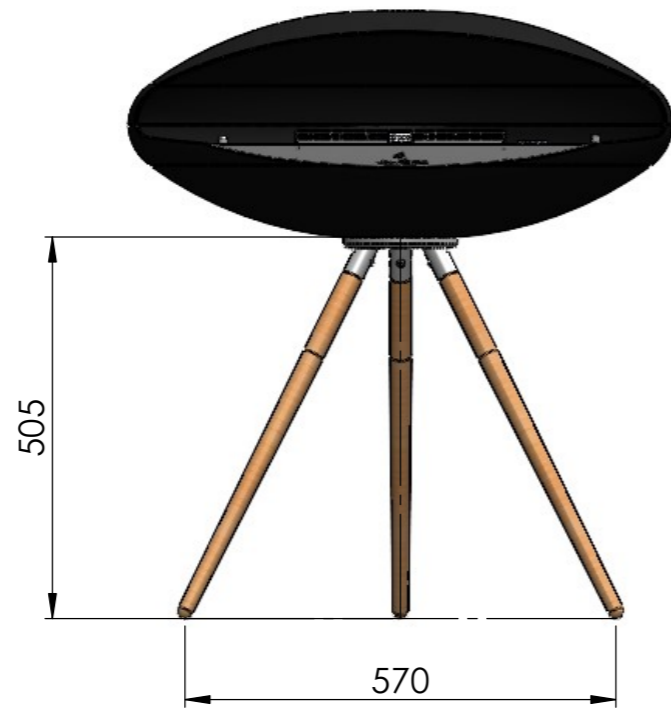


Decoflame® Espoo wood leg, Black Manual burner, electronic ignition



Dimensions are in millimeters		Decoflame Aps Vang Mark 2 9380 Vestbjerg Denmark Tlf: +45 9630 4800 	SCALE: 1:10
Date	02 - 04 - 2024		bestilling@decoflame.dk
REVISION:		Order Number - Customer - Reference:	
Author:	JDR	PRINCIPLE Espoo - Wood legs	
Copyright of Decoflame ApS Denmark, whose property this document remains. No part thereof may be disclosed, copied, duplicated or in any other way made use of, except with the approval of Decoflame ApS.		Customer Approval Signature - Date	



Dimensions are in millimeters		Decoflame ApS Vang Mark 2 9380 Vestbjerg Denmark Tlf: +45 9630 4800	 SCALE: 1:10
Date	02 - 04 - 2024	bestilling@decoflame.dk	
REVISION:		Order Number - Customer - Reference:	
Author:	JDR	PRINCIPLE Espoo - Wood legs	
Copyright of Decoflame ApS Denmark, whose property this document remains. No part thereof may be disclosed, copied, duplicated or in any other way made use of, except with the approval of Decoflame ApS.		Customer Approval Signature - Date	